

MST 1-PHASE SAFETY TRANSFORMER

P: 400VA IN: 230/400VAC OUT: 24VAC

Single-phase safety transformer
400 VA
Isolation class T 40/B
Other voltages on request.

[Link to Product](#)**Illustration**

Product may differ from Image

Approvals**Input**

Input voltage	230/400 V AC
Frequency	50...60 Hz
Inrush current	52.3 A (230 V AC); 30.2 A (400 V AC)
Short-circuit current	43 A (230 V AC); 24.9 A (400 V AC)
Input current	1.95 A (230 V AC); 1.1 A (400 V AC)

Output

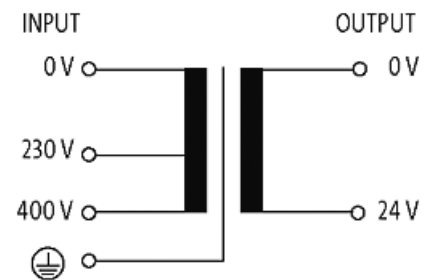
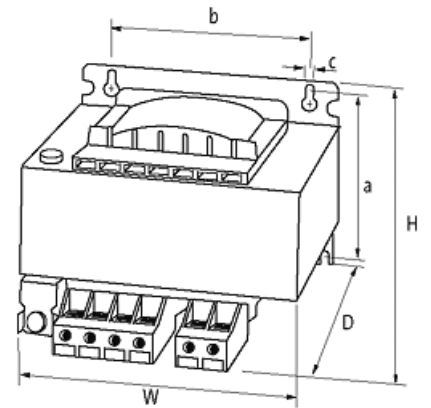
Output voltage	24 V AC (SELV)
Output rating	400 VA

General data

Standards	EN 61558-1, EN 61558-2-6, EN 62041 category 0
Test isolation voltage	4 kV (prim./sec.)
Mounting method	Key-hole mounting
Temperature range	-20...+40 °C (storage temperature -40...+80 °C)
Dimensions H×W×D	104×120×123 mm
Fixing centers a×b×c	86.5×90×5.8 mm
Drill hole Ø	5.8×10 mm

Commercial data

country of origin	CZ
customs tariff number	85043180
EAN	4048879078603
eClass	27031302
Packaging unit	1

Sketch

Product may differ from Image